

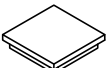
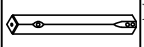

# Assembly Instruction for





## END TABLE

**CKS100ET / CKS100ETE / CML100ET / CML100ETE / CSD800ET / CSD800ETE**

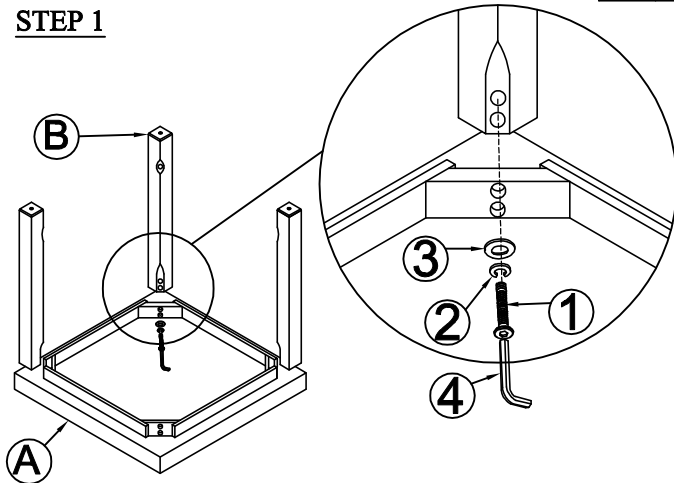
Caution: Please read instructions thoroughly before unpacking assembly parts. Sharp, exposed staple tips can cause injury, therefore, for your protection, please remove any exposed staples used in packing.

1. We recommend that you should assemble this product with the assistance of another person; this will make assembly easier, and will help to eliminate damage the product or injury to persons during assembly.
2. Be sure to check all packing materials carefully for small parts that may have come loose inside the carton during shipment.
3. Please do not over tighten screws or bolts .
4. Please put all parts on a non - abrasive floor before assembly, and follow the assembly steps to assemble your newly purchased product correctly and efficiently.

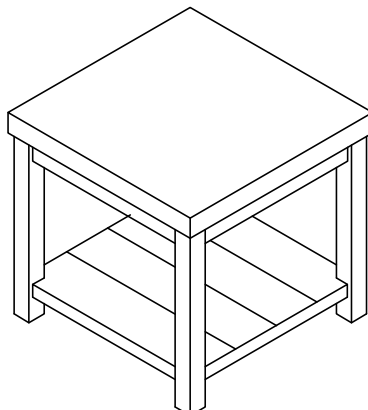
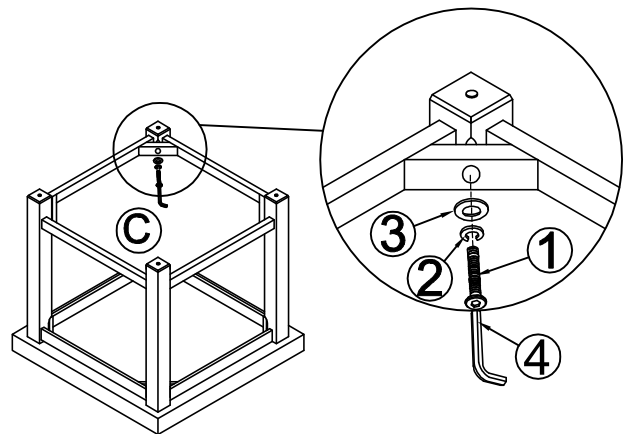
PARTS LIST				
No	PARTS DESC.		CODE.	Q'TY.
A		TOP	PCKS / PCML 100ETTOP PCSD 800ETTOP	1PC
B		LEG	PCKS / PCML 100ETLEG PCSD 800ETLEG	4PCS
C		BOTTOM SHELF	PCKS / PCML 100ETSHF PCSD 800ETSHF	1PC

HARDWARE LIST				
No	HARDWARE DESC.		CODE.	Q'TY.
1		BOLT 5/16"x 55mm	PCKS / PCML 100ETHW PCSD 800ETHW	12PCS
2		SPRING WASHER Ø5/16"		12PCS
3		FLAT WASHER Ø5/16"		12PCS
4		ALLEN KEY 2-1/4"x4mm		1PC

### STEP 1



### STEP 2



Assembly completed